



PREMIUM STAND SETUP

Ver. 1.3, May 2024

TABLE OF CONTENTS

Basic Stand Parts Page 3

Basic Stand Setup Page 4-6



PREMIUM STAND PARTS



x4



x12



x2

Stand Hardware



1 Right Rollerbar Arm



3 Right Dropdown Arm



2 Left Rollerbar Arm



4 Left Dropdown Arm



5 Right Leg



6 Left Leg



7 Crossbars (Length Determined By Cutter Width)



8 Stand Foot (Left/Right)



9 Rollerbars (Length Determined By Cutter Width)



10 Catchbasket (Length Determined By Cutter Width)

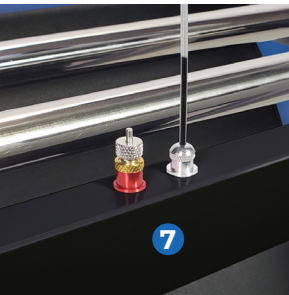


PREMIUM STAND SETUP

Step 1:

Attach the lower **Crossbar (7)** to the **Leg (5)** With 2 allen head screws from the **Stand Hardware** (Repeat for other side using parts 6 & 7).

Parts Needed:

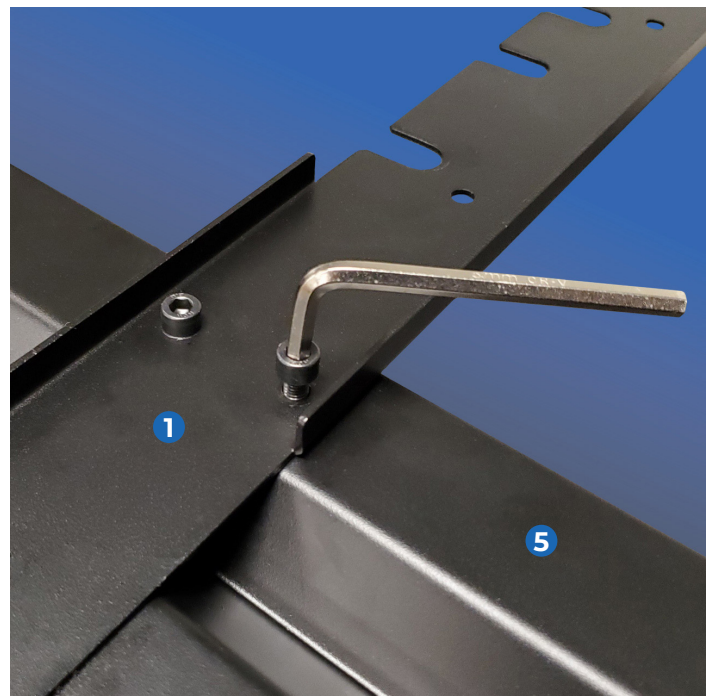
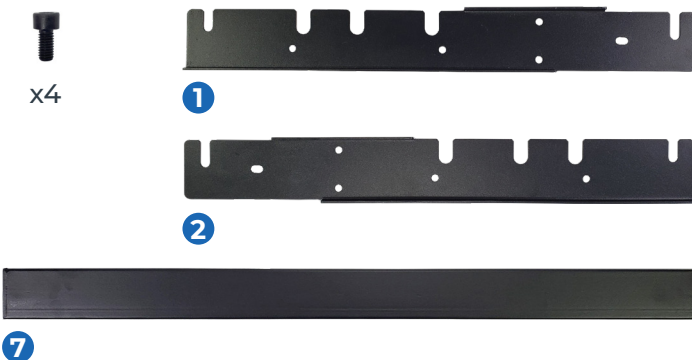


*Note: When Installing the **Crossbar (7)** the two holes in the center should face up to store extra bladeholders or the pen tool.*

Step 2:

Attach the **Rollerbar Arm (1)** & **Leg (5)** to the upper **Crossbar (7)** with the With 2 allen head screws from **Stand Hardware** (Repeat for other side using parts 2, 6 & 7).

Parts Needed:



PREMIUM STAND SETUP (Continued)

Step 3:

Attach the **Stand Feet (8)** to the **Legs (5)** With 4 allen head screws from **Stand Hardware** (Repeat for other side using parts (6 & 8))

Parts Needed:



Step 4:

Attach the **Dropdown Arm (3)** to the **Leg (5)** using the adjustable screw from the **Stand Hardware**. (Repeat for other side using parts 4 & 6)

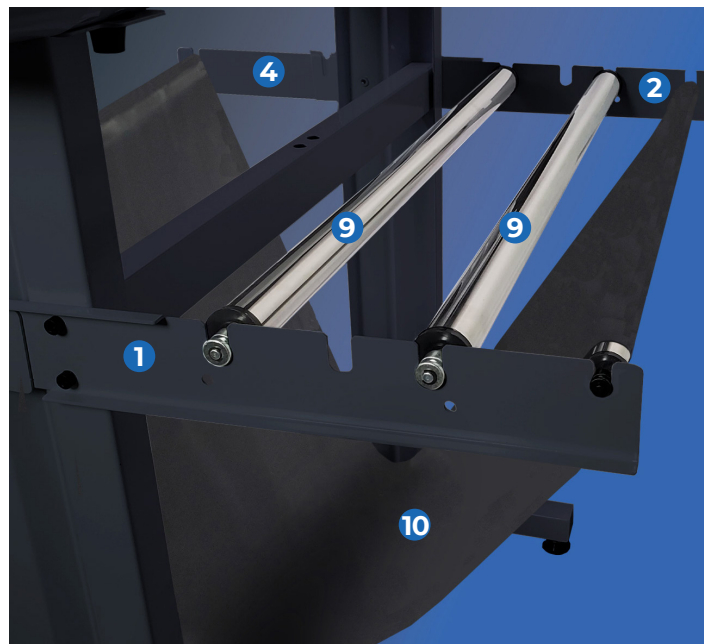
Parts Needed:



Step 5:

Place the **Rollerbar (9)** and the **Catchbasket (10)** in the slots on the **Rollerbar Arms (1 & 2)** & **Dropdown Arms (3 & 4)**.

Parts Needed:



PREMIUM STAND SETUP (Continued)



Step 6:

Place the vinyl cutter feet into the corresponding holes on the **Stand Legs** and secure using 4 screws from the **Stand Hardware**.

Parts Needed:



Finished:

You now have a completed your **Premium Stand** with vinyl cutter attached.

- 1 Right Rollerbar Arm
- 2 Left Rollerbar Arm
- 3 Right Dropdown Arm
- 4 Left Dropdown Arm
- 5 Right Leg
- 6 Left Leg
- 7 Crossbars
- 8 Stand Feet
- 9 Rollerbars
- 10 Catchbasket

