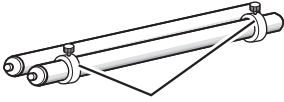
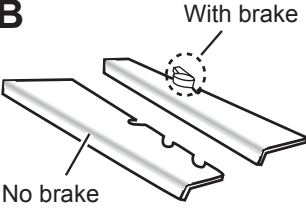

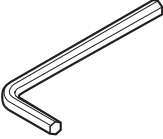


ACCESSORIES

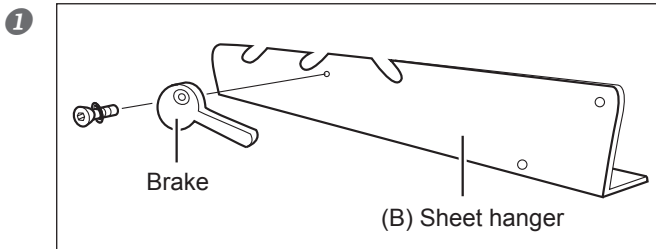
<p>A</p>  <p>Stoppers:2 Shafts:2</p>	<p>B</p>  <p>With brake No brake Sheet hangers:2</p>	<p>C</p>  <p>Screws:4 (for installing the sheet hangers)</p>	<p>D</p>  <p>Hexagonal wrench:1</p>
--	--	---	---

ASSEMBLY INSTRUCTIONS

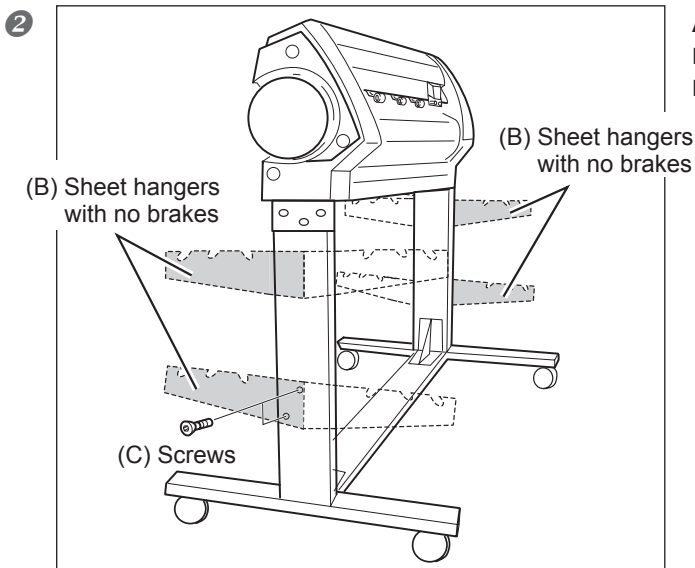
⚠ CAUTION

Do not put the thin roll sheet on the upper hanger when the roll sheet on the lower hanger is used for the cutting.

The thin roll sheet may fall off and cause injury.



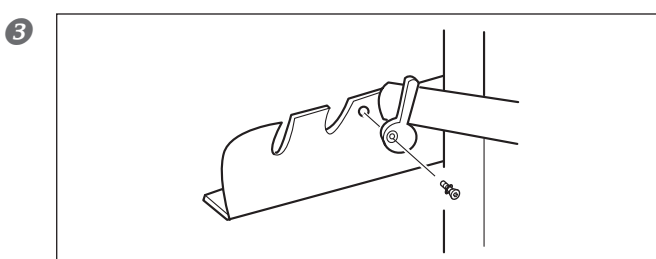
Use the hexagonal wrench to temporarily remove the brake from the sheet hanger.



Attach the sheet hangers to the stand legs.

Note: You can mount the sheet hangers at any of three locations.

Note: The left and right sheet hangers are different.



Install the shafts then use the hexagonal wrench and screw to attach the brake you removed in step 1.

Note: Arrange the shaft with no stopper on the inner side and the shaft with a stopper on the outer side.